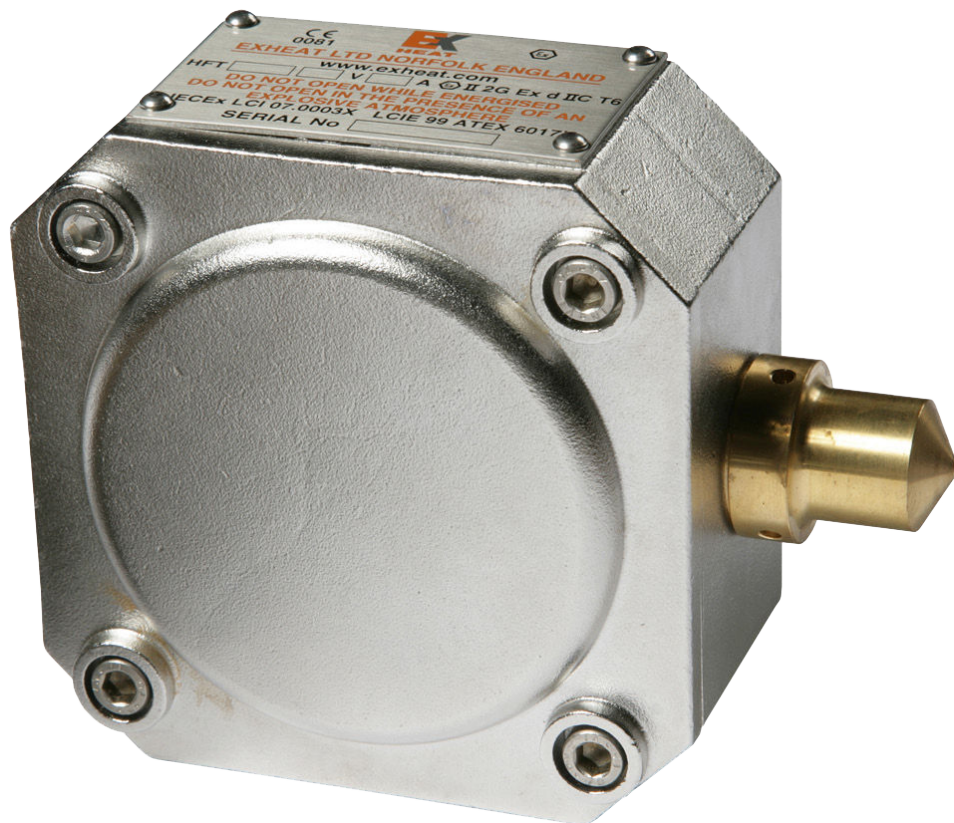


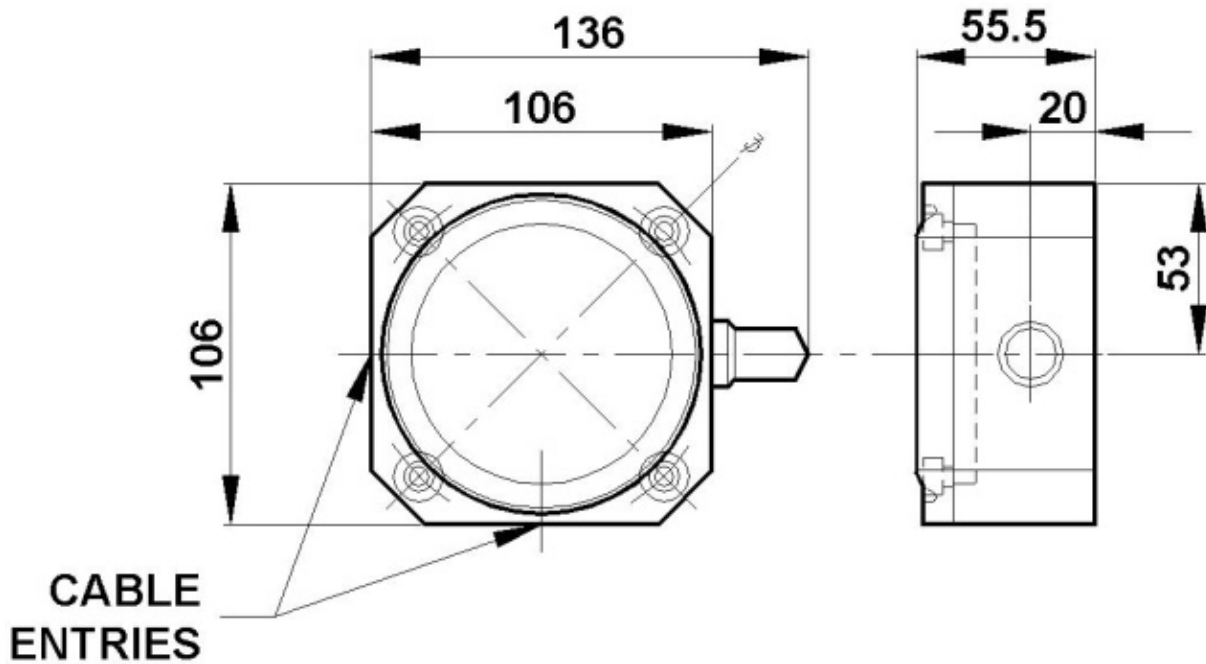
HFT Flameproof Air Sensing Thermostats

EXHEAT Industrial's HFT thermostats are supplied in weatherproof or flameproof enclosures to complement our heaters. All thermostats are certified for use in hazardous areas where the atmosphere is classified as a Zone 1 or 2 (IIA, IIB, IIC) gas group. The HFT is designed for the temperature control of work or storage areas, in conjunction with a hazardous area air heater.



FEATURES

- Ingress protection IP66/Type NEMA 4X
- Wall mounted
- 316 stainless steel enclosure
- Suitable for ambient temperatures from -60°C to +60°C



| | |
|----------------------|--|
| Certification | <p>ATEX/IECEX Ⓢ II 2 G Ex d IIC T6 Zone 1 and 2 CSA (CEC/NEC) Class I, Division 2, Groups A, B, C, D; T6, Type 4X (USA/CAN) CSA (CEC) Ex db IIC; T6 Gb; IP66 (CAN) CSA (NEC) Class I, Zone 1, AEx db IIC; T6 Gb; IP66 (USA) CU TR (EAC) 1Ex db IIC T6 Gb X</p> |
| Enclosure | Cast 316 stainless steel with 2 × M20 cable entries, external and internal earths and internal neutral link |
| Controls | Choice of control range: 0 to 25°C, 0 to 40°C or 0 to 60°C options |
| Mounting | 2 × 6mm dia shrouded mounting holes are provided |
| Voltage | SPDT, 20A on 250VAC in a choice of switching configuration |