

OJ Winterline® Protected



ETOP-4770

- Easy installation
- Remote touch control
- High weather integrity
- High power out

Weather resistant smart controller for Snow & Ice melt with remote control option.

- Designed for easy installation and maintenance
- Simple operation. Magnet activated controls, no need to remove cover
- Low power consumption - Operates only when moisture detected
- Compatible with the OJ Electronics outdoor sensors
- Remote control option available
- Up to 3x30 Amp load capacity - 30 Amp per relay
- NEMA4x / IP66 rated enclosure for outdoor installation capability
- Withstands low temperatures

The right snow and ice protection for your driveway

The high power out for the ETOP ensures that all of your driveway will be protected e.g. more than 60ft (20m) in a 240V North American system or more than 55m (180ft) in a 3 phase 230V European system.

Easy Installation

The ETOP is designed for easy installation anywhere you want it. In your garage, in a shed or even outdoor. Mount the controller with four screws and then connect the cables. Define sensor used. Run the system test program. Be at ease. Quick setup and operation.

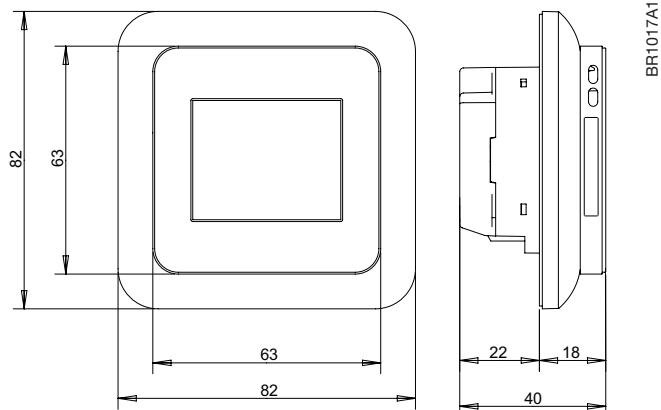
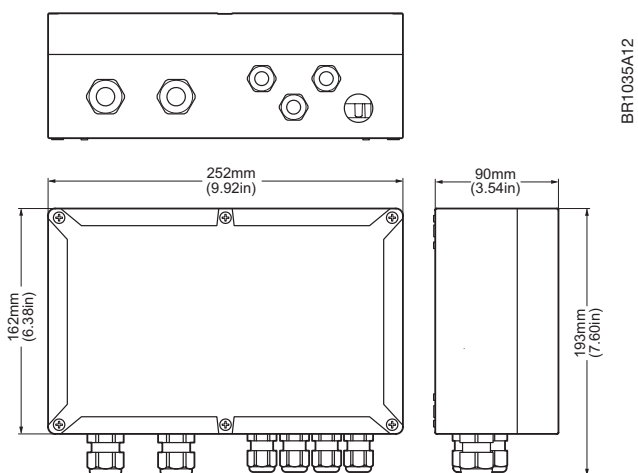
Weather resistant and weather based heating

The OJ Winterline® Protected Controller (ETOP) is designed for outdoor and indoor installation maintaining integrity level NEMA4x / IP 66. The controller will withstand temperatures down to -50°C / -58F.

OJ's sensors ensure energy efficient operation by only triggering the ETOP system when moisture is detected.

Easy Operation

Simply swipe the ETOP with a magnet to see the status. Not what you need? Then just swipe again. No need to remove the cover, read long instructions or even check on the system every day.



Remote Control Capability

If you install the remote controller you will have the capability of viewing and changing system status from the comfort of indoors.

Cost and Energy Control

When you have turned on your system it stills helps you conserve energy and costs. No heating when the temperature is high or the weather is dry. Only heating when needed.

TECHNICAL DATA - ETOP

Supply	Single phase 120 VAC & 208/240, 3 phase 277/480 VAC, 120/240 VAC ±10%, 60 Hz 3 phase 230/400 VAC, 230 VAC ±10%, 50 Hz
Load	30A _{RMS} Resistive load for 1, 2 or 3 phased
Power	3 x 3600 W using 3 x single phase @ 120 VAC, 3 x 30 Amp 1 x 6240 W using single phase two wires @ 208 VAC, 1 x 30 Amp 1 x 7200 W using single phase two wires @ 240 VAC, 1 x 30 Amp 1 x 8310 W using 3 phase @ 277 VAC, 1 x 30 Amp 1 x 14400 W using 3 phase @ 480 VAC, 1 x 30 Amp 3 x 6900 W using 3 x 1 phase @ 230 VAC, 3 x 30 Amp 3 x 12000 W using 3 phase @ 400 VAC, 3 x 30 Amp
Wire size, terminals (Power in/out)	0,75 – 10 mm ² , 20 AWG -4 AWG Fitting: 2 x M25
Interface	
Sensor	OJ ETF-744/99 temperature sensor OJ ETOR-55 gutter moist sensor OJ ETOG 55 ground moist and temperature sensor OJ ETOG 56 ground moist and temperature sensor (A temperature sensor is embedded in the ETOP) Fitting: 4 x M20
Remote controller	ETOP-R 2" touch display
Integrity	NEMA 4X IP66
Temperature	Load -30°C to 30°C / -22F to 86F Stand by -50°C to 50°C / -58F to 122F Storage -50°C to 70°C / -58F to 158F

TECHNICAL DATA - ETOP

Dimension (H(H)WD)	162mm(190mm)/252mm/89mm / 6.4"(7.5")/9.9"/3.5"
After run/forced	2hours-17hours
Start temperature	5°C / 41F
Moist sensing	4 levels

Remote and overview

The remote unit ETOP-R gives you the user control features of the ETOP added to the outdoor temperature and system feedback.

TECHNICAL DATA - ETOP-R

Display	2" TFT color touch resistive
Supply voltage from ETOP	28V DC ±10%
Power consumption	<0.8 W
Electrical connection	Max 1 mm ² , screw terminals
QuickPlug™	Modbus 1 x RJ12 (6P6C) unit
Ambient operating temperature	10/+40°C
Enclosure	IP21
Weight	65 g

TECHNICAL DATA - ETOP-R-RB

ETOP-R delivered with mounting box	
ETOP-R front is with sharp corners	
Box size HxWxD 84x84x55 mm(3.3"x3.3"x2.1")	
Enclosure	IP21
Weight	135 g

Approvals:

EU:	EN 60730-1:2011, EN 60730-2-9
US:	UL 60730-1 5th. ed., UL 60730-2-9 4th. ed.
Canada:	CAN/CSA E60730-1 5th. ed., CAN/CSA E60730-2-9 3th. ed.

RoHS

UL E-file: E157297  