

HE electric heater (Heaters for column and aluminium radiators)

Installation



HE heater UK

HE heater matching table

HGT/HE electric heaters are designed for use in water, water/glicol filled column and aluminium radiators

For aluminium radiators please use a water content (instead of radiator's output)

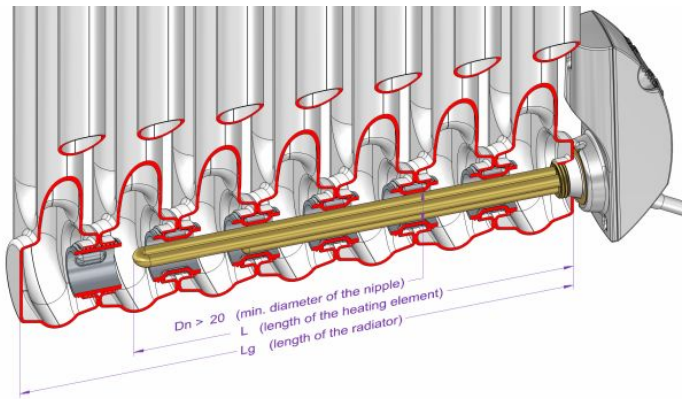
water content [l]		radiator output [W]		recommended heater		Flange
min	max	min	max	[W]	L [mm]	
1,5	3		350	300	340	R 1/2"
3	4,5	350	550	600	390	R 1/2"
4,3	7,5	500	850	900	440	R 1/2"
5,2	8,3	700	1050	1200	470	R 1/2"
6,2	10	850	1300	1500	520	R 3/4"
8,5	18	1050	1800	2000	570	R 3/4"

If the radiator parametres are different from the ones in the table, there is the need to consult the proper selection with the heater vendor or producer

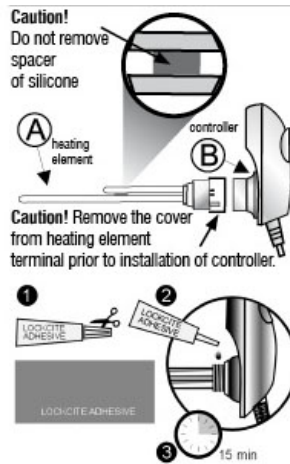
***output 1500W and 2000W - non-detachable control unit**

Operation manual – Installation:

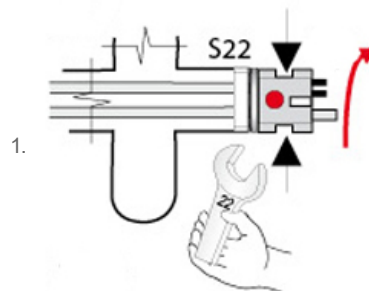
HGT heater require a **proper diameter** (minimum 20mm) of collector where a heating element will be placed. Please also check a length of a collector (Lg). It should be minimum **10cm longer** than a length of a heating element (L)



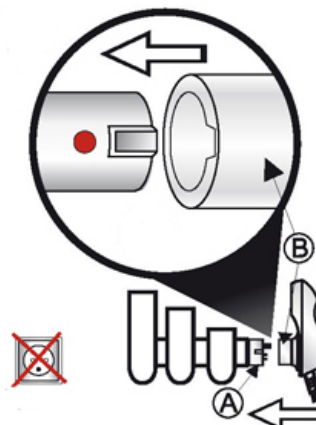
1. Prior to screwing the heating element in, **spread the Loctite sealant** (included) over the half of thread's circumference. A special silicone gasket on the head facilitates setting the thermostat housing upright. The conical gasket does not have to be tightened until resistance is felt. Using the sealant prevents unscrewing the heater when the regulator housing is accidentally hit.



2. Screw the heating element in by means of S22 wrench, while positioning the mark on the head upwards.

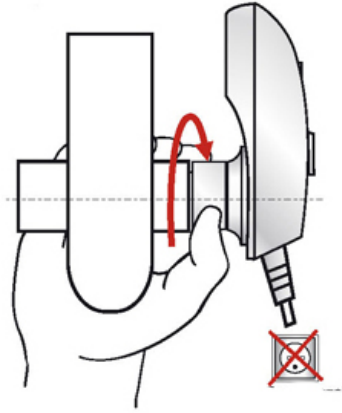


3. Before attempting to install the controller, remove the covers from the heating element and the controller.
4. Carefully slide the controller (B) onto the heating element (A)



DO NOT connect to the mains.

5. Finger-tight the locking sleeve until a resistance is felt (half turn)



DO NOT connect to the mains.

Electric radiator

It is recommended to fill the radiator only up to 95% of its capacity, taking into account thermal expansion of water (leave 4–5 cm of air in the manifold). Check the radiator's tightness after filling it up.

Electric radiator must be supplied with a safety valve:



DO NOT connect to the mains.

Central heating radiator

1. a) When the central heating system operates, it is recommended to disconnect the heating element from the mains or set the knob to "0".
 - b) Out of the heating season, when the central heating system does not operate, open the valves and vent the radiator. Following that close one valve (the thermostatic valve).
- Note! Only one valve must be closed.
DO NOT connect to the mains.

6. Connect the heating element to 230 V power supply.

Have the installation carried out by a qualified electrician.

This equipment requires RCD protection with rated residual operating current not exceeding 30mA. This equipment must be connected to circuit protective conductor (earth)

7. Switching the heating element on.

- Water presence test, checking the heating element's and the temperature sensor's working efficiency.
- The test is to be carried out each time following plugging-in and after any power failures.
- During the test the red LED flashes quickly for approximately 2 minutes. If the red LED flashes for a longer period (over 2 minutes), the test cannot be carried out (the water temperature in the radiator is too high and exceeds 30 degrees)

In order to lower the temperature:

Close one of central heating system's valves

Wait until the temperature in the radiator decreases

If the test is successful, the controller will switch to working mode set by means of the knob. In case of error, the blue LED will be lit

- Error detection (blue LED is lit)

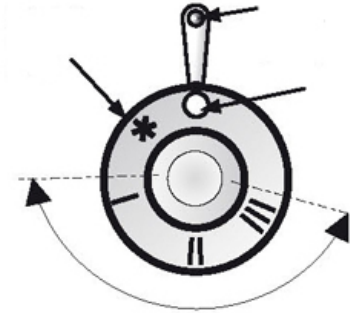
1. Continuous glowing – heater failure
2. Flashes once per second – temperature sensor failure
3. High frequency flashing – no water in the radiator (check the water level in radiator)

9. Switching the heating element on.

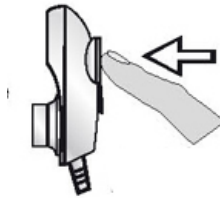
The heating element can be started by setting the knob clockwise, until a LED is lit. Turning the knob to the first position will set the temperature of approx. 7 degrees – anti freezing setting.

Adjustment range: 0–65 (radiator operation, drying or heating). Turning the knob fully counter-clockwise will switch the heating element off.

The knob rotates in steps to avoid selecting an unwanted setting.



The Turbo function can be started by pressing the knob. The heater will operate at full power for 1, 2 or 3 hours.



Press the knob to set the time to 1 hour, twice – to set the time to 2 hours and three times to set the time to 3 hours. Pressing the knob four times deactivated the Turbo function.

After a period set for the Turbo function, the heater returns to the temperature set on the knob.

NOTE

- In case of irregularities in the heater operation, first restart the controller by unplugging it from the mains and reconnect it after dozen seconds (Reset).
- If the heater is still signalling errors, in case of error 1 or 2 (according to the error signalling table) disconnect the power supply, detach the controller, remove the heating element and return the whole assembly to the retail outlet or the manufacturer.
- In case of error 3 unplug the heater from mains and check for the presence of water in the radiator. After the problem is solved, reconnect the heater to the mains.
- There is some delay in controller's reaction to setting the knob to lower temperature. It is normal. Instantaneous switching off is possible by setting the knob to "0".
- Do not disconnect the controller from the heating element when the heater is still plugged into the mains socket.
- Always use anti-freezing function when the ambient temperature is low.
- Before attempting to carry out maintenance, disconnect the heating element from the mains socket. Wipe the enclosure with a damp cloth with addition of gentle detergents. Do not use any aggressive agents. Under no circumstances allow the enclosure to be wet.
- When the heating element is not used, switch it off by turning the knob fully counter-clockwise.
- This appliance is not intended to be used by persons (including children) having limited physical, sensory or mental abilities and persons inexperienced or not familiar with the appliance, unless supervised or instructed on the appliance use by persons

responsible for their safety. Children are not allowed to play with the appliance.

- Please keep the guarantee.

Guarantee conditions.

The manufacturer grants a guarantee for 24 months starting from the date of sale, but for not longer than 36 months from the date of manufacture. Defects revealed within this period, resulting from a fault of manufacturer, will be removed free of charge or the item will be replaced with a new one, having the same parameters.

The complaints will be dealt with within 14 days from the date of submission to the manufacturer.

The guarantee does not cover:

Using the product in compliance with the instructions.

Any visible damage of the heating element and the programmer, resulting from improper use.

Damaging the seal on the temperature regulator's housing makes the guarantee null and void.

-

Installation and starting of HE heater

CAUTION
Read prior to commencing installation

HE heater – intended use

I. radiator in CH system

II. electric radiator

Installation only in horizontal position, in lower header.

HE heater for column type and aluminium

Package contents

Caution!
Do not remove spacer of silicone.

GLUE

Method of installation

Prior to screwing the heating element in, spread the Loctite sealant (included) over the thread surface, on the half of its circumference.

Special silicone gasket on the head ensures tightness without need for excessive tightening.

1. Loctite Adhesive
2. Loctite Adhesive
3. 15 min

Installation in radiator

1. Screw the „A“ heating element in with S22 wrench, while positioning the marker on the head to face upwards.

Note: 1500W and 2000W output heaters are offered only in inseparable version.

2. Remove the cover from heating element terminal prior to installation of controller.

3. Carefully slide the controller „B“ onto the heating element „A“.

4. Tighten the shielding sleeve one half turn by hand to lock the controller onto the element.

5. Fill radiator with water (the radiator must be vented, heating elements must be fully immersed)

6. Connect the heater to the mains 230V.

Installation in radiator

2. Remove the cover from heating element terminal prior to installation of controller.
3. Carefully slide the controller „B“ onto the heating element „A“.
4. Tighten the shielding sleeve one half turn by hand to lock the controller onto the element.

I. radiator in CH system

Open valves and vent the radiator. Next close inlet valve (thermostatic control).

Caution! Only one valve must be closed.

II. electric radiator

It is recommended to fill the radiator only up to 90% of its capacity, being also account thermal expansion of water. Check the capacity in the instruction manual of the radiator manufacturer.

Safety valve is obligatory.

Check that the radiator is watertight after filling.

Electrical installation should be entrusted to a qualified electrician.

If the radiator is for use in a bathroom it must be hard wired into the electrical system to comply with UK electrical regulations. Radiators for use in living rooms may be plugged in to a standard electrical socket using a standard UK 13 amp plug.

Wire colors:
Brown – live,
Blue – Neutral,
Green and Yellow – Earth.

START

BEFORE YOU PLUG THE HEATER INTO THE SOCKET (CONDITIONS OF CARRYING OUT THE HEATER TEST):

- DIAL HAS TO BE IN POSITION II (MANUAL)
- IN A HEATER CONNECTED TO CENTRAL HEATING, ONE OF THE VALVES MUST BE CLOSED

HE HEATER OPERATION

CONNECTING TO POWER
STARTING HEATER

FAST FLASHING HEATER TEST
HEATER TEST

TIME LINGER UP TO 2 MINS

NO CONDITIONS FOR CARRYING OUT THE TEST
GO BACK TO START

Guarantee conditions and card

GUARANTEE TERMS:

Guarantee is granted by manufacturer for 24 months period starting from date of sale, but no longer than 36 months from date of the heater manufacture. Defects revealed within this period, resulting from a fault of manufacturer will be repaired free of charge or the item replaced with new, equivalent one. Term of complaints' investigation up to 14 (fourteen) days from date of submission to the manufacturer.

Guarantee does not cover:

1. Damages which occurred as a result of incorrect assembly
2. Using of product in a manner inconsistent with attached instructions.
3. Any visible damage to the heating element or controller due to improper use.
4. Burnt thermal safety valve

Damaging of manufacturer's seals makes the guarantee null and void.

Notes:

1. The condition of proper, long-term heater operation is complete immersion of heating element in water.
2. It is recommended to entrust the heater installation and first starting to qualified technician.
3. In case the radiator installed in CH system is fitted with two valves, it must be closed both at supply and return side (thermal expansion of water).
4. Disconnect the power supply in case malfunction is found.
5. Electric power cable is not replaceable. Z type connection. If the electric cable is damaged the heater must be returned to the manufacturer for repair.

In the event that Heatpol are unable to repair or replace this product we reserve the right to refund the purchase price as an alternative.

HEATER WORKING CORRECTLY - RED LIGHT

RED LIGHT ON
HEATER WORKING

STANDBY HEATER TURNED OFF
LIGHT OFF

HEATER WORKING & IS COOLING
STEADY LIGHT ON

TURBO MODE
Auto heating setting about 7°C

1x = 1 hour
2x = 2 hours
4x = TURBO mode off

Status of heater operation is regulated by the wall LED heating valve 1 hour ●●●●● with 1 sec
2 hours ●●●●● with 2 sec
4 hours ●●●●● with 4 sec

SIGNALLING IMPROPER ASSEMBLY OR IMPROPER USE - BLUE LIGHT

BLUE LIGHT FLASHING 1 TIME PER SECOND
SIGNALS BURST THERMAL SAFETY VALVE (IMPROPER USE)

YOU HAVE DAMAGED THE TEMPERATURE SAFETY VALVE
CONTACT THE SELLER

BLUE LIGHT FLASHING AT HIGH FREQUENCY
SIGNALS LACK OF WATER

1. UNPLUG HEATER FROM SOCKET
2. FILL UP THE WATER LEVEL
3. PLUG HEATER INTO SOCKET

BLUE LIGHT STEADY
SIGNALS DISMOUNTING OF THE HEATING ELEMENT

1. UNPLUG HEATER FROM SOCKET
2. CHECK THE WATER LEVEL IN THE HEATER
3. INCENTRAL HEATING INSTALLATION (CHECK IF ONE OF THE VALVES IS CLOSED)
4. PLUG HEATER INTO SOCKET

REFER TO LABELS ON ENCLOSURE

exclamation mark on triangular field signals information important for the user

lightning mark ended with arrow on triangular field warns about dangerous voltage inside the appliance

Do not throw the used appliance in the waste bin. Take it to a recycling facility.

CAUTION electric shock hazard

Note:
in order to reduce electric shock hazard, do not remove the casing (nor its rear cover).

There are no user-serviceable parts inside the appliance; the product must be returned to the manufacturer for repair via the distributor who sold the product.

GUARANTEE CARD

Electric heater with electronic temperature controller, type GE _____

Serial No.: _____

Date of sale: _____

Stores of retail outlet, signature of seller

Caution:
The guarantee card should be kept in a safe place. Any extension on the guarantee will void the guarantee. Signature card valid only with proof of purchase.

heatpol

Minków 322, 32-084 Morawica
tel. 12.423.6065, 12.656.4491
www.heatpol.com

Caution:
To avoid the risk of fire or electric shock the heater should be protected from water spray or flooding.