

# Cooling incubators



KB | KB ECO | KT series





BINDER

Temperature: 25.0 25.0

Volume: 100.0

Start/Stop

Temp. Up

Temp. Down

Volume Up

Volume Down

Power

Lock

Unlock

Open

Close

Print

Help

Exit

Back

Home

Menu

Settings

Calibration

Factory Reset

Language

Units

Time

Alarm

Door Open

Overheat

Low Level

High Level

Power Off

Power On

Power Lock

Power Unlock

Power Stop

Power Start

Power Hold

Power Release

Power Lock

Power Unlock

Power Stop

Power Start

Power Hold

Power Release

# Cooling incubators

Series KB	Page 6
Series KT	Page 12
Series KB ECO	Page 17

BINDER incubators are gentle on samples and provide high-quality performance. Every KB series cooling incubator thus makes safe, reproducible incubation possible, even at high ambient temperatures. Together with the efficient weekly program function, cooling incubators from BINDER are truly versatile in laboratory work with microorganisms. The KB ECO series combines exceptional performance with low energy consumption. Additionally, every BINDER incubator offers true added value with its exemplary environmental friendliness.

## PRODUCT SELECTION COOLING INCUBATORS

Features	Series KB › Page 6	Series KT › Page 12	Series KB ECO › Page 17
<b>Model</b>			
Model 53	•	•	–
Model 115	•	•	–
Model 170	–	•	–
Model 240	•	–	•
Model 400	•	–	–
Model 720	•	–	•
Model 1020	–	–	•
<b>General data</b>			
Temperature range [°C]	-10...100	4...100	–
Temperature range (max. 28 °C under ambient temperature) [°C]	–	–	0...70
Temperature range (max. 26 °C under ambient temperature) [°C]	–	–	0...70
Ethernet interface	•	•	•
USB interface	•	•	•
Cooling technology	Compressor	Thermoelectric cooling	Thermoelectric cooling
<b>Controller and timer functions</b>			
Controller display	LCD Screen	LCD Screen	LCD
Programming option	•	•	•
Weekly program function	•	•	•
Adjustable fan speed	•	•	•
Real-time clock	•	•	•
Class 1 temperature safety device	•	•	•
Class 3.1 independent temperature safety device	•	•	•
Temperature alarm, acoustic	•	•	•
Temperature alarm, visual	•	•	•

•Standard equipment

## ADVANTAGES AT A GLANCE



### **SAFE**

Series KB, KT

Convenient decontamination of the high-quality stainless steel interior with hot 100 °C air.



### **RELIABLE**

Series KB, KT, KB ECO

Reliable reproducibility, even when fully loaded, due to horizontal air flow from both sides.



### **SMART**

Series KB ECO

Long incubations without drying out and condensation-free operation due to unique protection against drying out and condensation.



### **COST-EFFECTIVE**

Series KT, KB ECO

Exemplary environmental performance thanks to maximum energy efficiency and avoidance of climate-damaging refrigerants.

## Series KB | Cooling incubators with powerful compressor cooling

The powerful virtuoso in cooling incubators: the KB masters temperature ranges from -10 °C to 100 °C. The new KB series consumes up to 30% less energy compared to its predecessor. With its extensive programming options and homogenous incubation conditions even when fully loaded, this cooling incubator covers a wide range of applications.



KB 53 model

### BENEFITS

- Safe, reproducible incubation, even at high ambient temperatures
- Disinfection routine at +100 °C
- Up to 30% lower energy consumption compared to the previous model

### MAIN FEATURES

- Temperature range: -10 °C to +100 °C
- APT.line™ preheating chamber technology
- Cooling with compressor cooling unit
- Door heating system from 240 liters
- Adjustable fan speed
- Controller with time-segment and real-time programming
- Inner door made of tempered safety glass
- 2 stainless steel racks
- Units up to 115 liters are stackable

### AVAILABLE SIZES

Model	Interior volume [L]	Online data sheets
KB 53	53	› <a href="https://go2binder.com/en-KB53">go2binder.com/en-KB53</a>
KB 115	115	› <a href="https://go2binder.com/en-KB115">go2binder.com/en-KB115</a>
KB 240	247	› <a href="https://go2binder.com/en-KB240">go2binder.com/en-KB240</a>
KB 400	400	› <a href="https://go2binder.com/en-KB400">go2binder.com/en-KB400</a>
KB 720	698	› <a href="https://go2binder.com/en-KB720">go2binder.com/en-KB720</a>

## OPTIONAL EQUIPMENT

### LED light bar sets

LED light bars in three different lengths (30, 50, 90 cm) can be easily and variably positioned in the BINDER unit, including various attachment options and control unit. Additional light bars can be added as desired.



### Access port with silicone plug

For introducing external measuring instruments. Large selection of different diameters and positions (left, right, or top)



### Door lock

Lockable door handle prevents unauthorized access.



### Services

You can access our installation, maintenance, calibration, validation, or warranty services by taking out a Maintenance Service Agreement or by simply getting in touch when you need us. More information is available in the accessories and services chapter.



### BINDER INDIVIDUAL

Using a BINDER series production product as a basis, we develop individual solutions as a single unit or in small batches. All products are tested, certified, and supplied with a full functional guarantee and warranty. More information is available in the accessories and services chapter.



► All extras online [go2binder.com/en-options](https://go2binder.com/en-options)

## TECHNICAL DATA

Description	KB 53	KB 115	KB 240	KB 400	KB 720
<b>Measures</b>					
Interior volume [L]	53	115	247	400	698
Net weight of the unit (empty) [kg]	78	106	171	221	309
Permitted load [kg]	40	50	100	120	150
Load per rack [kg]	15	20	30	30	45
Wall clearance back [mm]	100	100	100	100	100
Wall clearance sidewise [mm]	100	100	100	100	100
<b>Internal Dimensions</b>					
Width [mm]	400	600	650	650	970
Height [mm]	400	480	785	1270	1250
Depth [mm]	330	400	485	485	576
<b>Housing dimensions not incl. fittings and connections</b>					
Width net [mm]	635	835	925	925	1250
Height net [mm]	835	1025	1465	1950	1925
Depth net [mm]	580	650	800	805	885
<b>Performance Data Temperature</b>					
Temperature range [°C]	-10...100	-10...100	-10...100	-10...100	-10...100
Temperature variation at 37 °C [± K]	0.2	0.2	0.2	0.2	0.2
Temperature fluctuation at 37 °C [± K]	0.1	0.1	0.1	0.1	0.1
Recovery time after 30 seconds door open at 37 °C [min]	2	2	2	4	3
<b>Electrical data</b>					
Nominal power (version 120 V) [kW]	0.6	0.7	1.2	1.4	–
Nominal power (version 230 V) [kW]	0.6	0.7	1.2	1.4	2.3
Nominal power (version 240 V) [kW]	–	–	–	–	2.3
<b>Fixtures</b>					
Number of shelves (std./max.)	2/4	2/5	2/9	2/15	2/15

## ORDERING INFORMATION [Art. No.]

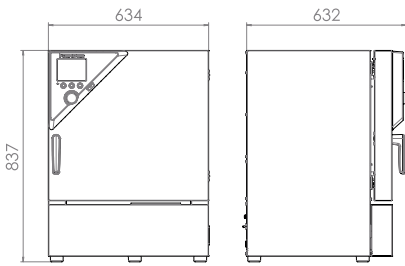
**Further details:** Go to [www.binder-world.com](http://www.binder-world.com) > Search > Enter Article Number

Voltage	Option model	KB 53	KB 115	KB 240	KB 400	KB 720
230 V 1~ 50 Hz	Standard	9020-0199	9020-0397	–	–	–
200...230 V 1~ 50/60 Hz	Standard	–	–	9020-0202	–	–
200...240 V 1~ 50/60 Hz	Standard	–	–	–	9020-0203	9020-0204 9020-0306
120 V 1~ 60 Hz	Standard	9020-0302	9020-0398	–	–	–
100...120 V 1~ 60 Hz	Standard	–	–	9020-0304	9020-0305	–

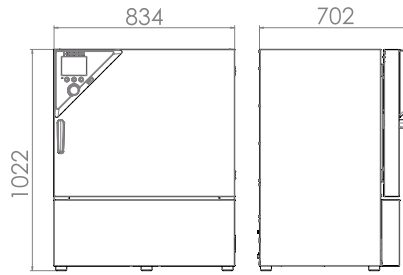


## DIMENSIONS incl. fittings and connections [mm]

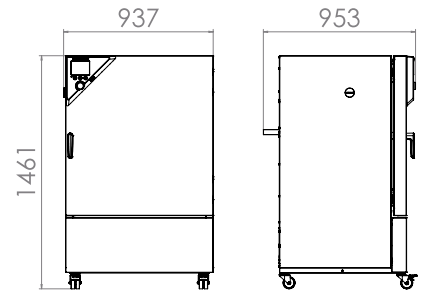
KB 53



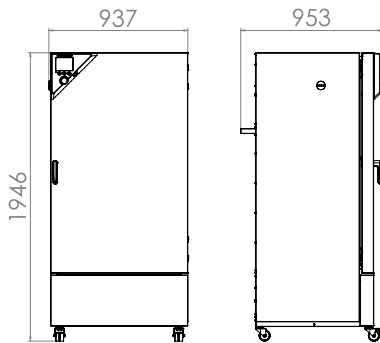
KB 115



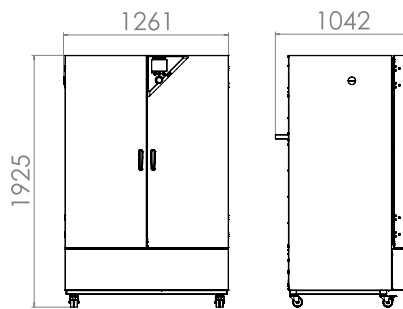
KB 240



KB 400



KB 720



## ORDERING INFORMATION OPTIONS

Bezeichnung	Beschreibung	KB	KB	KB	KB	KB	Art.-Nr.
		53	115	240	400	720	
	back						
	10 mm	•	•	-	-	-	8012-0395
	30 mm	•	•	-	-	-	8012-1292
	50 mm	•	•	-	-	-	8012-1294
	left						
	10 mm	•	•	-	-	-	8012-0393
	30 mm	•	•	-	-	-	8012-1157
	50 mm	-	-	•	•	•	8012-0648
	right						
	10 mm	•	•	-	-	-	8012-0392
	30 mm	•	•	-	-	-	8012-1154
	50 mm	-	-	•	•	•	8012-0647
	top						
	10 mm	•	•	-	-	-	8012-0391
	30 mm	•	•	-	-	-	8012-1151
	50 mm	-	-	•	•	•	8012-0649
	100 mm	•	•	-	-	-	8012-1160
		-	-	•	•	•	8012-0650
		•	•	-	-	-	8012-1167
		-	-	•	•	•	8012-0651

Bezeichnung	Beschreibung	KB 53	KB 115	KB 240	KB 400	KB 720	Art.-Nr.
<b>Alarm output, zero-voltage</b>	for temperature ( $\pm 2$ °C), accessible via 6-pin DIN socket (max. 24 V - 2.5 A), with audible signal that can be switched off	•	•	–	–	–	8012-1082
		–	–	•	•	•	8012-1083
<b>Calibration certificate, expanded</b>	for temperature; for extending the measurement in center of chamber to include another test temperature	•	•	•	•	•	8012-1120
<b>Calibration certificate, temperature</b>	for temperature, measurement in center of chamber at specified temperature	•	•	•	•	•	8012-1139
	temperature measurement incl. certificate and 27 measuring points at specified temperature	•	•	•	•	•	8012-1598
	temperature measurement incl. certificate, 15- 18 measuring points at specified temperature	•	•	•	•	•	8012-1577
	temperature measurement incl. certificate, 9 measuring points at specified temperature	•	•	•	•	•	8012-1556
<b>Class 3.3 independent temperature safety device</b>	with visual alarm (DIN 12880)	•	•	–	–	–	8012-1080
		–	–	•	•	•	8012-1081
<b>Door lock</b>	lockable door handle	•	•	–	–	–	8012-1773
		–	–	•	•	–	8012-1774
		–	–	–	–	•	8012-1777
<b>Pt 100 temperature sensor</b>	additional flexible Pt 100, interior, for displaying the temperature on the unit display	•	•	–	–	–	8012-1078
		–	–	•	•	•	8012-1079
<b>Shelf, reinforced</b>	positioned at bottom level, max. load 45 kg, with additional attachment for operation of shaking device, stirring device or roller bottle system	•	–	–	–	–	8012-0287
		–	•	–	–	–	8012-0288
		–	–	•	•	–	8012-0639
		–	–	–	–	•	8012-0673

## ORDERING INFORMATION ACCESSORIES

Bezeichnung	Beschreibung	KB 53	KB 115	KB 240	KB 400	KB 720	Art.-Nr.
<b>APT-COM™ 4 B ASIC-Edition</b>	for simple logging and documentation requirements with up to 5 networked units.						
	version 4, BASIC edition	•	•	•	•	•	9053-0039
<b>APT-COM™ 4 GLP-Edition</b>	for working under GLP-compliant conditions. Measured values are documented in a tamper-proof way in line with the requirements of FDA Regulation 21 CFR 11.						
	version 4, GLP edition	•	•	•	•	•	9053-0042
<b>APT-COM™ 4 PROFESSIONAL-Edition</b>	convenient unit and user management built on the BASIC edition. Suitable for networking up to 100 units.						
	version 4, PROFESSIONAL edition	•	•	•	•	•	9053-0040
<b>LED light bars</b>	Basic set consisting of 2 pieces, attachment material, control unit for max. 4 light strips, 100-240 V, 50/60 Hz						
	Basic set 300, length 30 cm	•	•	•	•	•	8012-1107
	Basic set 500, length 50 cm	–	•	•	•	•	8012-1108
	Basic set 900, length 90 cm	–	–	–	•	•	8012-1109
	Expansion set consisting of 2 pieces, attachment material: clips. For expanding the basic set of light bars						
	Expansion set 300, length 30 cm	•	•	•	•	•	8012-1716
Expansion set 500, length 50 cm	–	•	•	•	•	8012-1717	
Expansion set 900, length 90 cm	–	–	–	•	•	8012-1718	
<b>pH-neutral detergent</b>	concentrated, for gentle remove of residual contaminants; 1 kg	•	•	•	•	•	1002-0016

Bezeichnung	Beschreibung	KB 53	KB 115	KB 240	KB 400	KB 720	Art.-Nr.
<b>Qualification documents</b>	IQ/OQ documents – supporting documents for validation performed by customers, consisting of: IQ/OQ checklists incl. calibration guide and comprehensive unit documentation; parameters: temperature, CO <sub>2</sub> , O <sub>2</sub> , pressure, depending on unit						
	Digital in PDF format	•	•	•	•	•	7057-0001
	Hard copy inside folder	•	•	•	•	•	7007-0001
	IQ/OQ/PQ documents – supporting documents for validation performed by customers, according to customer requirements, PQ section added to qualification folder IQ/OQ; parameters: temperature, CO <sub>2</sub> , O <sub>2</sub> – or pressure, depending on unit						
	Digital in PDF format	•	•	•	•	•	7057-0005
	Hard copy inside folder	•	•	•	•	•	7007-0005
<b>Rack</b>	stainless steel	•	–	–	–	–	8012-2047
		–	•	–	–	–	8012-2048
		–	–	•	•	–	8012-2050
		–	–	–	–	•	8012-2051
		•	•	–	–	–	8012-0531
<b>Rack accessories</b>	fasteners (1 set of 4) for additional security of racks	–	–	•	•	•	8012-0620
		–	•	–	–	–	8012-0700
<b>Rack, reinforced</b>	stainless steel, with fasteners (1 set of 4)	–	–	•	•	–	8012-0638
		–	–	–	–	•	8012-0674
		•	•	•	–	–	8012-2030
<b>Rubber pads</b>	set anti-slip feet	•	•	•	–	–	8012-2030
<b>Shelf, perforated</b>	Stainless steel	•	–	–	–	–	8012-2083
		–	•	–	–	–	6004-0030
		–	–	•	•	–	6004-0040
		–	–	–	–	•	8009-0486
<b>Table on castors</b>	stable cart, casters with locking brakes, dimensions: W 1,000 x D 800 x H 780 mm	•	•	–	–	–	9051-0018
<b>WLAN kit</b>	The kit contains a client bridge that establishes a wireless connection between BINDER units and APT-COM4, LIMS, or customer-specific software via an Ethernet interface. It provides an alternative solution in situations where units need to be positioned in locations without an on-site Ethernet connection. In secured networks, installation and configuration must be performed by the customer's IT service.	•	•	•	•	•	8500-0164

## Series KT | Cooling incubators with Peltier technology

The KT series combines outstanding performance with impressive energy efficiency and environmental friendliness. The cooled incubators of the KT series are state-of-the-art in application and protect the samples.



KT 115 model

### BENEFITS

- Safe and reproducible incubation conditions even at high environmental conditions
- Hot air disinfection at 100 °C
- Energy efficient, environmentally friendly and secure

### MAIN FEATURES

- Temperature range: +4 °C to +100 °C
- APT.line™ preheating chamber technology
- Adjustable fan speed
- Electric cooling with Peltier module
- Controller with time-segment and real-time programming
- Display via LCD monitor
- Input via pushbutton/rotary knob
- Inner door made of tempered safety glass
- 2 stainless steel racks
- Units up to 115 liters are stackable

### AVAILABLE SIZES

Model	Interior volume [L]	Online data sheets
KT 53	53	› <a href="https://go2binder.com/en-KT53">go2binder.com/en-KT53</a>
KT 115	102	› <a href="https://go2binder.com/en-KT115">go2binder.com/en-KT115</a>
KT 170	163	› <a href="https://go2binder.com/en-KT170">go2binder.com/en-KT170</a>

## OPTIONAL EQUIPMENT

### Access port with silicone plug

For introducing external measuring instruments. Large selection of different diameters and positions (left, right, or top)



### Door lock

Lockable door handle prevents unauthorized access.



### Services

You can access our installation, maintenance, calibration, validation, or warranty services by taking out a Maintenance Service Agreement or by simply getting in touch when you need us. More information is available in the accessories and services chapter.



### BINDER INDIVIDUAL

Using a BINDER series production product as a basis, we develop individual solutions as a single unit or in small batches. All products are tested, certified, and supplied with a full functional guarantee and warranty. More information is available in the accessories and services chapter.



► All extras online [go2binder.com/en-options](https://go2binder.com/en-options)

## TECHNICAL DATA

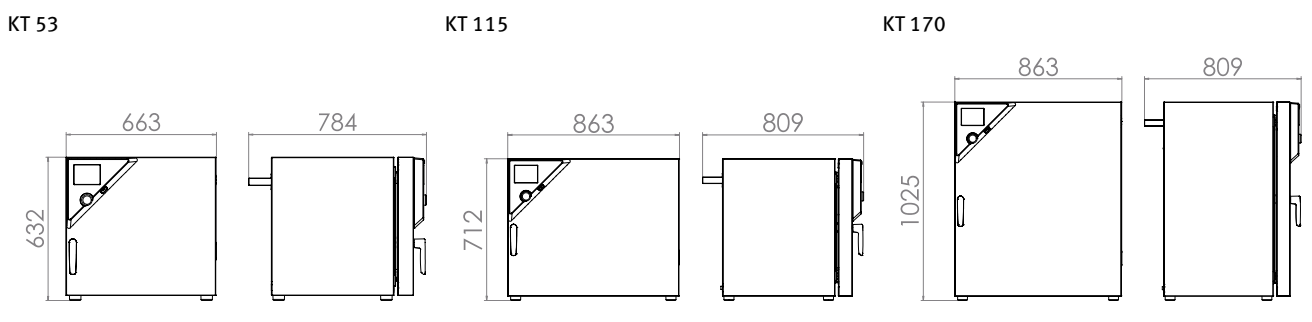
Description	KT 53	KT 115	KT 170
<b>Measures</b>			
Interior volume [L]	53	102	163
Net weight of the unit (empty) [kg]	63	83	102
Permitted load [kg]	40	100	120
Load per rack [kg]	15	30	30
Wall clearance back [mm]	100	100	100
Wall clearance sidewise [mm]	240	240	240
<b>Internal Dimensions</b>			
Width [mm]	400	600	600
Height [mm]	400	455	765
Depth [mm]	334	355	355
<b>Housing dimensions not incl. fittings and connections</b>			
Width net [mm]	660	860	860
Height net [mm]	635	715	1025
Depth net [mm]	630	655	655
<b>Performance Data Temperature</b>			
Temperature range [°C]	4...100	4...100	4...100
Temperature variation at 37 °C [± K]	0.3	0.3	0.4
Temperature fluctuation [± K]	0.1	0.1	0.1
Recovery time after 30 seconds door open at 37 °C [min]	2	3	3
<b>Electrical data</b>			
Nominal power (version 120 V) [kW]	0.4	0.7	0.8
Nominal power (version 230 V) [kW]	0.4	0.7	0.8
<b>Fixtures</b>			
Number of shelves (std./max.)	2/5	2/6	2/10

## ORDERING INFORMATION [Art. No.]

**Further details:** Go to [www.binder-world.com](http://www.binder-world.com) > Search > Enter Article Number

Voltage	Option model	KT 53	KT 115	KT 170
200...240 V 1~ 50/60 Hz	Standard	9020-0311	9020-0313	9020-0289
100...120 V 1~ 50/60 Hz	Standard	9020-0312	9020-0314	9020-0310

## DIMENSIONS incl. fittings and connections [mm]



## ORDERING INFORMATION OPTIONS

Bezeichnung	Beschreibung	KT 53	KT 115	KT 170	Art.-Nr.
Access port with silicone plug	left				
	10 mm	•	•	•	8012-1290
	30 mm	•	•	•	8012-1158
	50 mm	•	•	•	8012-1165
	right				
	10 mm	•	•	•	8012-1289
	30 mm	•	•	•	8012-1155
	50 mm	•	•	•	8012-1163
	top				
	10 mm	•	•	•	8012-1288
	30 mm	•	•	•	8012-1152
	50 mm	•	•	•	8012-1161
	100 mm	•	•	•	8012-1168
Alarm output, zero- voltage	for temperature ( $\pm 2$ °C), accessible via 6-pin DIN socket (max. 24 V - 2.5 A), with audible signal that can be switched off	•	–	–	8012-0982
		–	•	–	8012-1001
		–	–	•	8012-1002
Calibration certificate, expanded	for temperature; for extending the measurement in center of chamber to include another test temperature	•	•	•	8012-1122
	for temperature, measurement in center of chamber at specified temperature	•	•	•	8012-1141
Calibration certificate, temperature	temperature measurement incl. certificate and 27 measuring points at specified temperature	•	•	•	8012-1600
	temperature measurement incl. certificate, 15- 18 measuring points at specified temperature	•	•	•	8012-1579
	temperature measurement incl. certificate, 9 measuring points at specified temperature	•	•	•	8012-1558
Door lock	lockable door handle	•	•	•	8012-1668
Pt 100 temperature sensor	additional flexible Pt 100, interior, for displaying the temperature on the unit display	•	–	–	8012-0935
		–	•	–	8012-0993
		–	–	•	8012-0994
Shelf, reinforced	positioned at bottom level, max. load 45 kg, with additional attachment for operation of shaking device, stirring device or roller bottle system	•	–	–	8012-0818
		–	•	•	8012-0817

## ORDERING INFORMATION ACCESSORIES

Bezeichnung	Beschreibung	KT 53	KT 115	KT 170	Art.-Nr.
APT-COM™ 4 BASIC-Edition	for simple logging and documentation requirements with up to 5 networked units.				
	version 4, BASIC edition	•	•	•	9053-0039
APT-COM™ 4 GLP-Edition	for working under GLP-compliant conditions. Measured values are documented in a tamper-proof way in line with the requirements of FDA Regulation 21 CFR 11.				
	version 4, GLP edition	•	•	•	9053-0042
APT-COM™ 4 PROFESSIONAL-Edition	convenient unit and user management built on the BASIC edition. Suitable for networking up to 100 units.				
	version 4, PROFESSIONAL edition	•	•	•	9053-0040

Bezeichnung	Beschreibung	KT 53	KT 115	KT 170	Art.-Nr.
LED light bars	Basic set consisting of 2 pieces, attachment material, control unit for max. 4 light strips, 100-240 V, 50/60 Hz				
	Basic set 300, length 30 cm	•	•	•	8012-1107
	Basic set 500, length 50 cm	–	•	•	8012-1108
	Expansion set consisting of 2 pieces, attachment material: clips. For expanding the basic set of light bars				
	Expansion set 300, length 30 cm	•	•	•	8012-1716
	Expansion set 500, length 50 cm	–	•	•	8012-1717
pH-neutral detergent	concentrated, for gentle remove of residual contaminants; 1 kg	•	•	•	1002-0016
Qualification documents	IQ/OQ documents – supporting documents for validation performed by customers, consisting of: IQ/OQ checklists incl. calibration guide and comprehensive unit documentation; parameters: temperature, CO <sub>2</sub> , O <sub>2</sub> , pressure, depending on unit				
	Digital in PDF format	•	•	•	7057-0001
	Hard copy inside folder	•	•	•	7007-0001
	IQ/OQ/PQ documents – supporting documents for validation performed by customers, according to customer requirements, PQ section added to qualification folder IQ/OQ; parameters: temperature, CO <sub>2</sub> , O <sub>2</sub> – or pressure, depending on unit				
	Digital in PDF format	•	•	•	7057-0005
	Hard copy inside folder	•	•	•	7007-0005
Rack	stainless steel	•	–	–	8012-2047
		–	•	•	8012-2049
Rack accessories	fasteners (1 set of 4) for additional security of racks	•	•	•	8012-0620
Rack, reinforced	stainless steel, with fasteners (1 set of 4)	•	–	–	8012-0829
		–	•	•	8012-0828
Rubber pads	set anti-slip feet	•	•	•	8012-2030
Shelf, perforated	Stainless steel	•	–	–	8012-2083
		–	•	•	6004-0115
Table on castors	stable cart, casters with locking brakes, dimensions: W 1,000 x D 800 x H 780 mm	•	•	•	9051-0018



## Series KB ECO | Cooling incubators with environmentally friendly thermoelectric cooling

Thanks to thermoelectric cooling technology with patented heat dissipation, the new KB ECO cooling incubator is one of the most energy-efficient cooling incubator on the market. The thermoelectric cooling technology means the KB ECO series is also very quiet during operation.



KB ECO 720 model

### BENEFITS

- **Safe:** Unique condensate and dry-out protection for all operating conditions
- **Reliable:** Fail-safe operation due to intelligent thermoelectric tempering
- **Smart:** Temperatures programmable for intermitted incubation and refrigeration
- **Economical:** Minimum energy consumption thanks to optimized thermoelectric cooling

### MAIN FEATURES

- Temperature range: 0 °C through +70 °C (max. 26 °C below the ambient temperature)
- APT.line™ preheating chamber technology
- Electric temperature control thanks to thermoelectric cooling module with innovative heat dissipation
- Inner door made of tempered safety glass
- Inner chamber made completely of stainless steel
- 2 rack, stainless steel
- Adjustable condensate protection
- Access port with silicone plug Ø 30 mm
- LCD to display temperature along with additional information and alarms
- Internal data logger, measured values can be read out in open format via USB

### AVAILABLE SIZES

Model	Interior volume [L]	Online data sheets
KB ECO 240	247	› <a href="https://go2binder.com/en-KB-ECO240">https://go2binder.com/en-KB-ECO240</a>
KB ECO 720	700	› <a href="https://go2binder.com/en-KB-ECO720">https://go2binder.com/en-KB-ECO720</a>
KB ECO 1020	1020	› <a href="https://go2binder.com/en-KB-ECO1020">https://go2binder.com/en-KB-ECO1020</a>



Find all details online: [go2binder.com/en-KBECO](https://go2binder.com/en-KBECO)

## OPTIONAL EQUIPMENT

---

### LED light bar sets

LED light bars in three different lengths (30, 50, 90 cm) can be easily and variably positioned in the BINDER unit, including various attachment options and control unit. Additional light bars can be added as desired.



---

### Access port with silicone plug

For introducing external measuring instruments. Large selection of different diameters and positions (left, right, or top)



---

### Door lock

Lockable door handle prevents unauthorized access.



---

### Services

You can access our installation, maintenance, calibration, validation, or warranty services by taking out a Maintenance Service Agreement or by simply getting in touch when you need us. More information is available in the accessories and services chapter.



---

### BINDER INDIVIDUAL

Using a BINDER series production product as a basis, we develop individual solutions as a single unit or in small batches. All products are tested, certified, and supplied with a full functional guarantee and warranty. More information is available in the accessories and services chapter.



---

► All extras online [go2binder.com/en-options](https://go2binder.com/en-options)

---

## TECHNICAL DATA

Description	KB ECO 240	KB ECO 720	KB ECO 1020
<b>Measures</b>			
Interior volume [L]	247	700	1020
Net weight of the unit (empty) [kg]	152	272	327
Permitted load [kg]	100	150	150
Load per rack [kg]	30	45	45
Wall clearance back [mm]	100	100	100
Wall clearance sidewise [mm]	100	100	100
<b>Internal Dimensions</b>			
Width [mm]	650	973	973
Height [mm]	785	1250	1250
Depth [mm]	485	576	836
<b>Housing dimensions not incl. fittings and connections</b>			
Width net [mm]	925	1250	1250
Height net [mm]	1461	1925	1925
Depth net [mm]	796	885	1149
<b>Performance Data Temperature</b>			
Temperature range (max. 26 °C under ambient temperature) [°C]	–	0...70	0...70
Temperature range (max. 28 °C under ambient temperature) [°C]	0...70	–	–
Temperature variation at 37 °C [± K]	0.1	0.1	0.1
Temperature fluctuation at 37 °C [± K]	0.1	0.1	0.1
Recovery time after 30 seconds door open at 37 °C [min]	3	4	4
<b>Electrical data</b>			
Nominal power (version 120 V) [kW]	0.9	1.3	1.3
Nominal power (version 230 V) [kW]	0.9	1.3	1.3
<b>Environment-specific data</b>			
Energy consumption at 37 °C [Wh/h]	65	105	105
<b>Fixtures</b>			
Number of shelves (std./max.)	2/9	2/15	2/15

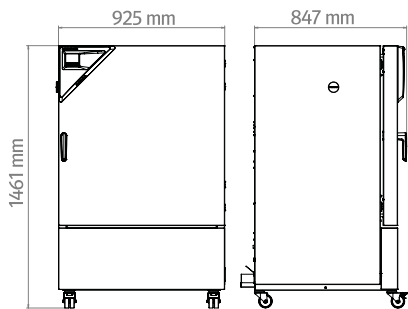
## ORDERING INFORMATION [Art. No.]

**Further details:** Go to [www.binder-world.com](http://www.binder-world.com) > Search > Enter Article Number

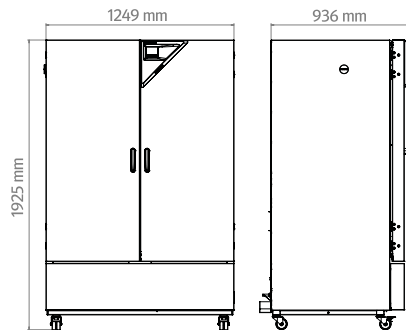
Voltage	Option model	KB ECO 240	KB ECO 720	KB ECO 1020
200...230 V 1~ 50/60 Hz	Standard	9020-0423	9020-0424	9020-0425
100...120 V 1~ 50/60 Hz	Standard	9020-0426	9020-0427	9020-0428

**DIMENSIONS incl. fittings and connections [mm]**

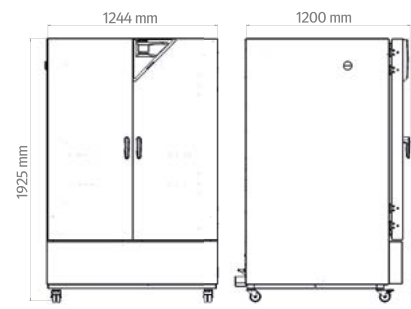
KB ECO 240



KB ECO 720



KB ECO 1020



**ORDERING INFORMATION OPTIONS**

Bezeichnung	Beschreibung	KB ECO 240	KB ECO 720	KB ECO 1020	Art.-Nr.
<b>Access port with silicone plug</b>	left				
	30 mm	•	•	•	8012-2113
	50 mm	•	•	•	8012-2120
	100 mm	•	•	•	8012-2118
	right				
	30 mm	•	•	•	8012-2112
	50 mm	•	•	•	8012-2119
	100 mm	•	•	•	8012-2117
	top				
	30 mm	•	•	•	8012-2114
	50 mm	•	•	•	8012-2115
	100 mm	•	•	•	8012-2116
<b>Calibration certificate, expanded</b>	for temperature; for extending the measurement in center of chamber to include another test temperature	•	•	•	8012-2107
<b>Calibration certificate, temperature</b>	for temperature, measurement in center of chamber at specified temperature	•	•	•	8012-2106
	temperature measurement incl. certificate and 27 measuring points at specified temperature	•	•	•	8012-2110
	temperature measurement incl. certificate, 15- 18 measuring points at specified temperature	•	•	•	8012-2109
	temperature measurement incl. certificate, 9 measuring points at specified temperature	•	•	•	8012-2108
<b>Door lock</b>	lockable door handle	•	–	–	8012-2121
		–	•	•	8012-2122

**ORDERING INFORMATION ACCESSORIES**

Bezeichnung	Beschreibung	KB ECO 240	KB ECO 720	KB ECO 1020	Art.-Nr.
<b>APT-COM™ 4 BASIC-Edition</b>	for simple logging and documentation requirements with up to 5 networked units. version 4, BASIC edition	•	•	•	9053-0039
<b>APT-COM™ 4 GLP-Edition</b>	for working under GLP-compliant conditions. Measured values are documented in a tamper-proof way in line with the requirements of FDA Regulation 21 CFR 11. version 4, GLP edition	•	•	•	9053-0042

Bezeichnung	Beschreibung	KB ECO 240	KB ECO 720	KB ECO 1020	Art.-Nr.
<b>APT-COM™ 4 PROFESSIONAL-Edition</b>	convenient unit and user management built on the BASIC edition. Suitable for networking up to 100 units.				
	version 4, PROFESSIONAL edition	•	•	•	9053-0040
<b>LED light bars</b>	Basic set consisting of 2 pieces, attachment material, control unit for max. 4 light strips, 100-240 V, 50/60 Hz				
	Basic set 300, length 30 cm	•	•	•	8012-1107
	Basic set 500, length 50 cm	•	•	•	8012-1108
	Basic set 900, length 90 cm	–	•	•	8012-1109
	Expansion set consisting of 2 pieces, attachment material: clips. For expanding the basic set of light bars				
	Expansion set 300, length 30 cm	•	•	•	8012-1716
	Expansion set 500, length 50 cm	•	•	•	8012-1717
<b>pH-neutral detergent</b>	concentrated, for gentle remove of residual contaminants; 1 kg	•	•	•	1002-0016
	Expansion set 900, length 90 cm	–	•	•	8012-1718
	Expansion set 300, length 30 cm	•	•	•	8012-1716
<b>Qualification documents</b>	IQ/OQ documents – supporting documents for validation performed by customers, consisting of: IQ/OQ checklists incl. calibration guide and comprehensive unit documentation; parameters: temperature and humidity values				
	Digital in PDF format	•	•	•	7057-0002
	Hard copy inside folder	•	•	•	7007-0002
	IQ/OQ/PQ documents – supporting documents for validation performed by customers, according to customer requirements, PQ section added to qualification folder IQ/OQ; parameters: temperature and humidity values				
	Digital in PDF format	•	•	•	7057-0006
	Hard copy inside folder	•	•	•	7007-0006
<b>Rack</b>	stainless steel	•	–	–	8012-2050
		–	•	–	8012-2051
		–	–	•	8012-2052
		•	–	–	8012-0638
<b>Rack, reinforced</b>	stainless steel, with fasteners (1 set of 4)	–	•	–	8012-0674
		–	–	•	8012-0968
		•	–	–	6004-0040
<b>Shelf, perforated</b>	Stainless steel	–	•	–	8009-0486
		–	–	•	8009-0792

# BINDER products

CO<sub>2</sub> incubators

Incubators

Cooling incubators

Growth chambers

Ultralow temperature freezers

Drying and heating chambers

Safety drying chambers

Vacuum drying chambers

Constant climate chambers

Dynamic climate chambers

Battery test chambers

Multi Management Software



Never miss a product novelty -  
Subscribe and keep up to speed with  
the BINDER monthly newsletter.

[Subscription](#)

[go2binder.com/en-newsletter-subscription](https://go2binder.com/en-newsletter-subscription)



Best conditions for your success

**BINDER GmbH**  
Tuttlingen, Germany

Tel +49 7462 2005 0  
[info@binder-world.com](mailto:info@binder-world.com)  
[www.binder-world.com](http://www.binder-world.com)

**BINDER Asia Pacific (Hong Kong) Ltd.**  
Kowloon, Hong Kong, P.R. China

Tel +852 39070500  
[asia@binder-world.com](mailto:asia@binder-world.com)

**BINDER Environmental Testing  
Equipment (Shanghai) Co., Ltd.**  
Shanghai, P.R.China

Tel +86 21 685 808 25  
[china@binder-world.com](mailto:china@binder-world.com)

**Representative Office for CIS**  
Moscow, Russia

Tel +7 495 988 15 16  
[russia@binder-world.com](mailto:russia@binder-world.com)

**BINDER Inc.**  
Bohemia, NY, USA

Tel +1 631 224 4340  
[usa@binder-world.com](mailto:usa@binder-world.com)